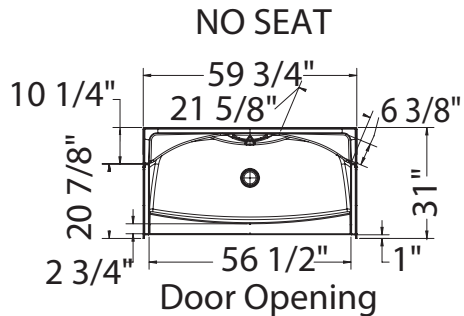
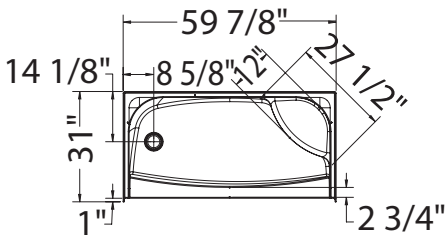


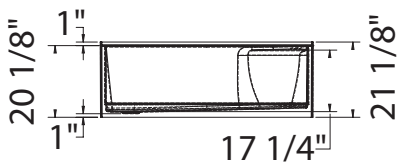
# STANDARD



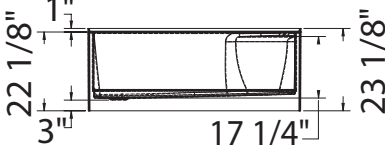
# RIGHT SEAT SHOWN LEFT SEAT SYMMETRICAL



# NOT ABOVE-THE-FLOOR

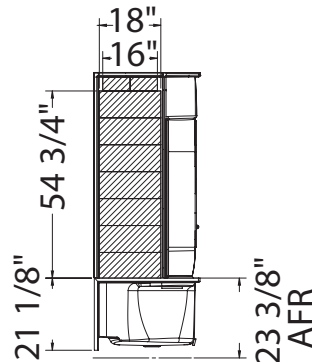


# ABOVE-THE-FLOOR

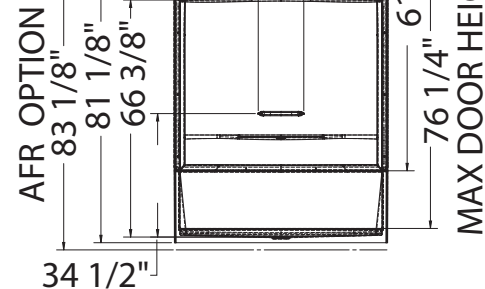
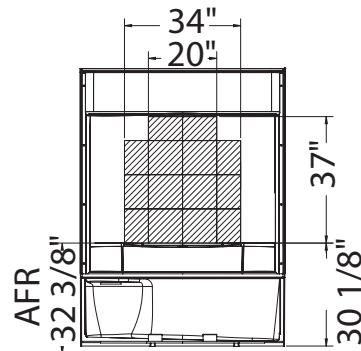


# REINFORCEMENT BACKING

OPTION 20212-L Shown  
OPTION 20212-R Symetrical

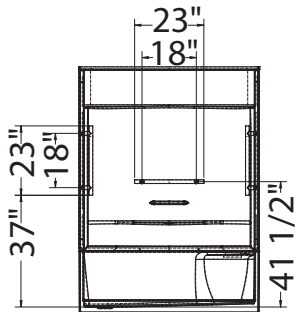


# OPTION 20212-B

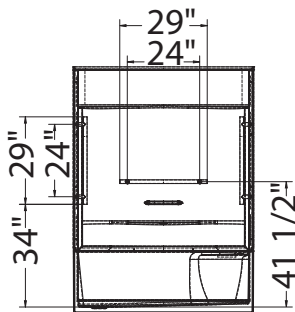


# GRAB BARS

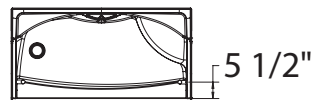
## OPTION 20203



## OPTION 20204



## OPTION 20203-20204



All dimensions are approximate. Structure measurements must be verified against the unit to ensure proper fit.