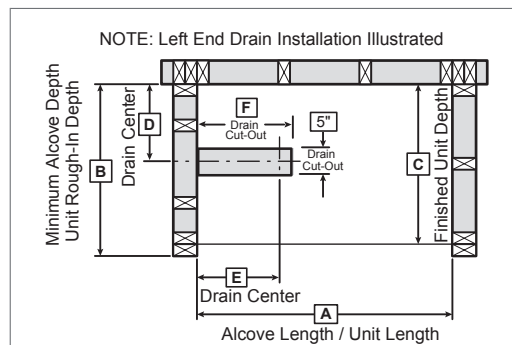


# TECHNICAL SPECIFICATIONS

## CM-60

**MODEL NUMBER 141000**

DIMENSIONS: 60" x 31 1/2" x 72" Gelcoat



Model	A	B	C	D	E	F
141000	60"	33"	31 1/2"	15 1/2"	9 1/2"	12"

### STANDARD FEATURES

- One-piece gelcoated fiberglass tub-shower
- Built-in back wall shelves with integrated soap dish
- Right or left-hand drain
- Standard clear acrylic bar with optional metallic finish
- Textured floor
- Optional unique features: Above-the-Floor Rough and reinforced walls
- 13 3/4" deep sump
- Bottom bathing well : 46" L x 19 1/4" W

### UNIQUE FEATURES

- Above-the-floor rough (AFR)

### OPTIONS

- Wall reinforcement (three walls)
- Back Wall reinforcement
- Left Wall reinforcement
- Right wall reinforcement
- Brushed Nickel grab bar (replacing acrylic bar)
- Chrome grab bar (replacing acrylic bar)

### SYSTEMS

- None

### DOOR SELECTION

Combine with AKER's complete shower door offering visit [www.akerbymaax.com](http://www.akerbymaax.com)

### CERTIFICATIONS

AKER products adhere to one or more of the following certifications:



Project : .....

Contractor : .....

AKER Representative : ..... Tel : .....

Date : .....

# TECHNICAL SPECIFICATIONS

## CM-60

MODEL NUMBER 141000

### TECHNICAL DRAWINGS

