

# TECHNICAL SPECIFICATIONS

## S-42

**MODEL NUMBER 141025**

DIMENSIONS: 42" x 35 1/4" x 72" Gelcoat



### STANDARD FEATURES

- One-piece gelcoated fiberglass shower
- Built-in wide corner shelves
- Center drain
- Textured floor
- Optional unique feature: Reinforced walls

### UNIQUE FEATURES

- None

### OPTIONS

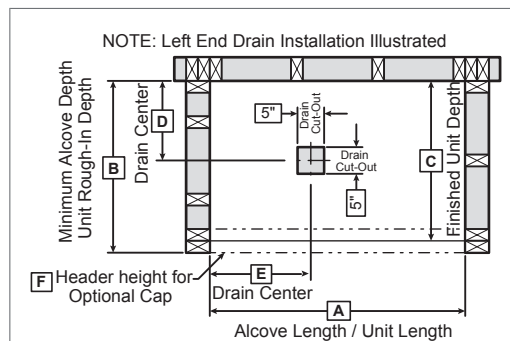
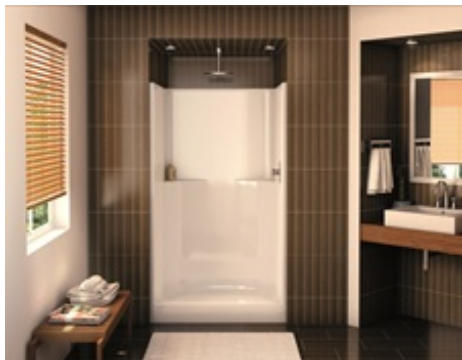
- Wall reinforcement (three walls)
- Back Wall reinforcement
- Left Wall reinforcement
- Right wall reinforcement

### SYSTEMS

- None

### DOOR SELECTION

Combine with AKER's complete shower door offering visit [www.akerbymax.com](http://www.akerbymax.com)



Model	A	B	C	D	E
141025	42"	36 3/4"	35 1/4"	18 1/4"	21"

Project : .....

Contractor : .....

AKER Representative : ..... Tel : .....

Date : .....

### CERTIFICATIONS

AKER products adhere to one or more of the following certifications:



